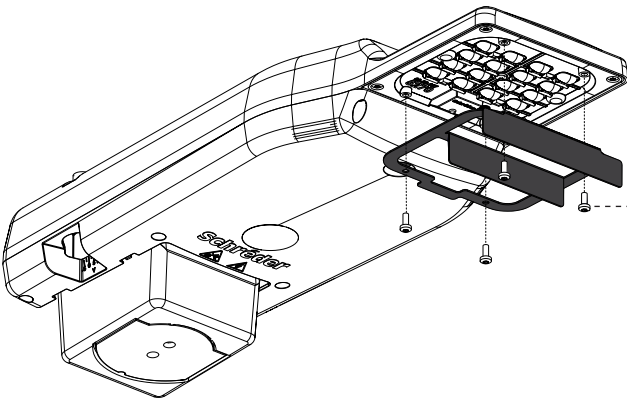


Schröder

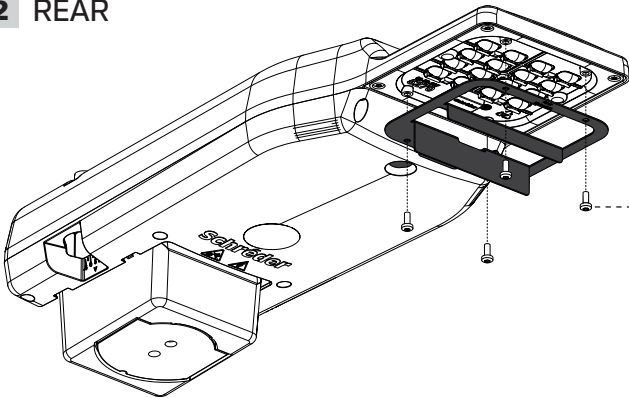
AXIA 3 LOUVRES

Installation instructions

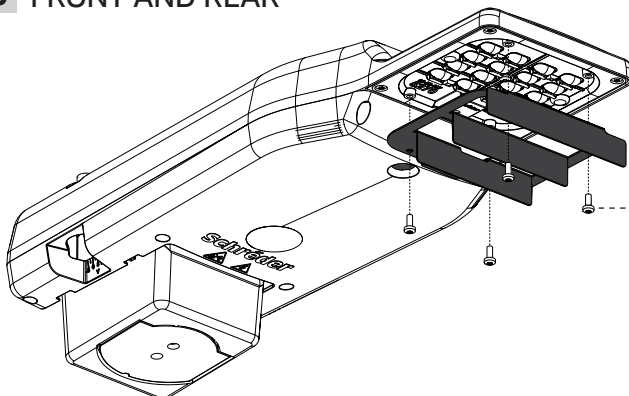
A 1 FRONT



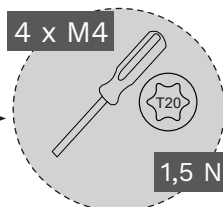
2 REAR



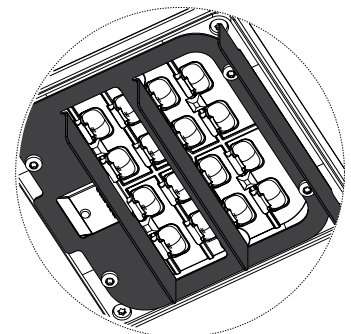
3 FRONT AND REAR



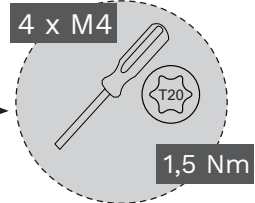
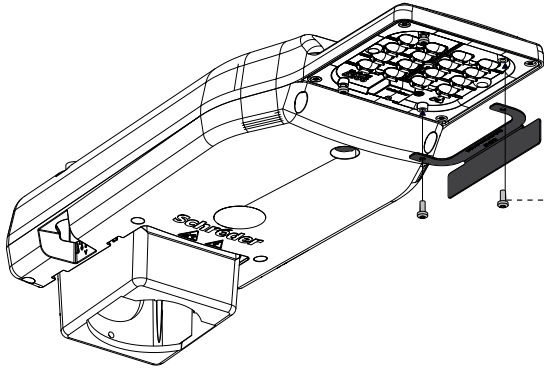
4 x M4



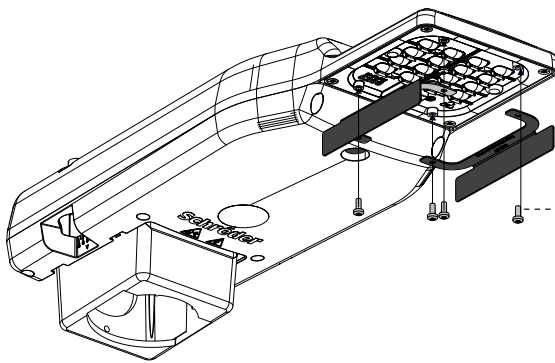
1,5 Nm



4 SINGLE SIDE

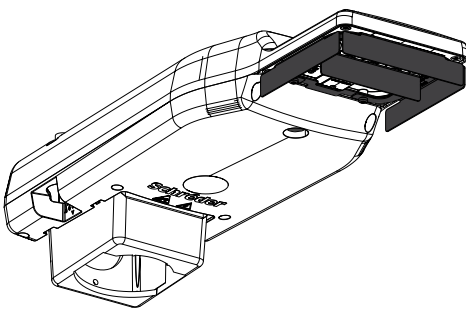


5 2x SINGLE SIDE

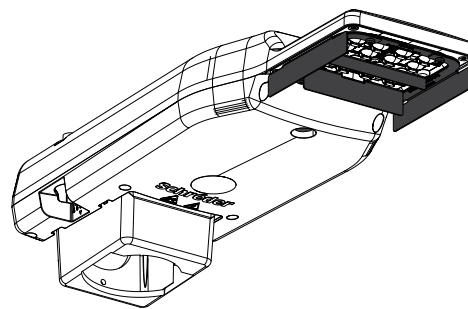


B

FRONT + SINGLE SIDE / 2x SINGLE SIDE



REAR + 1 SINGLE SIDE / 2x SINGLE SIDE



FRONT + REAR + SINGLE SIDE / 2x SINGLE SIDE

