



PRODUCT INFORMATION GENERAL DESCRIPTION

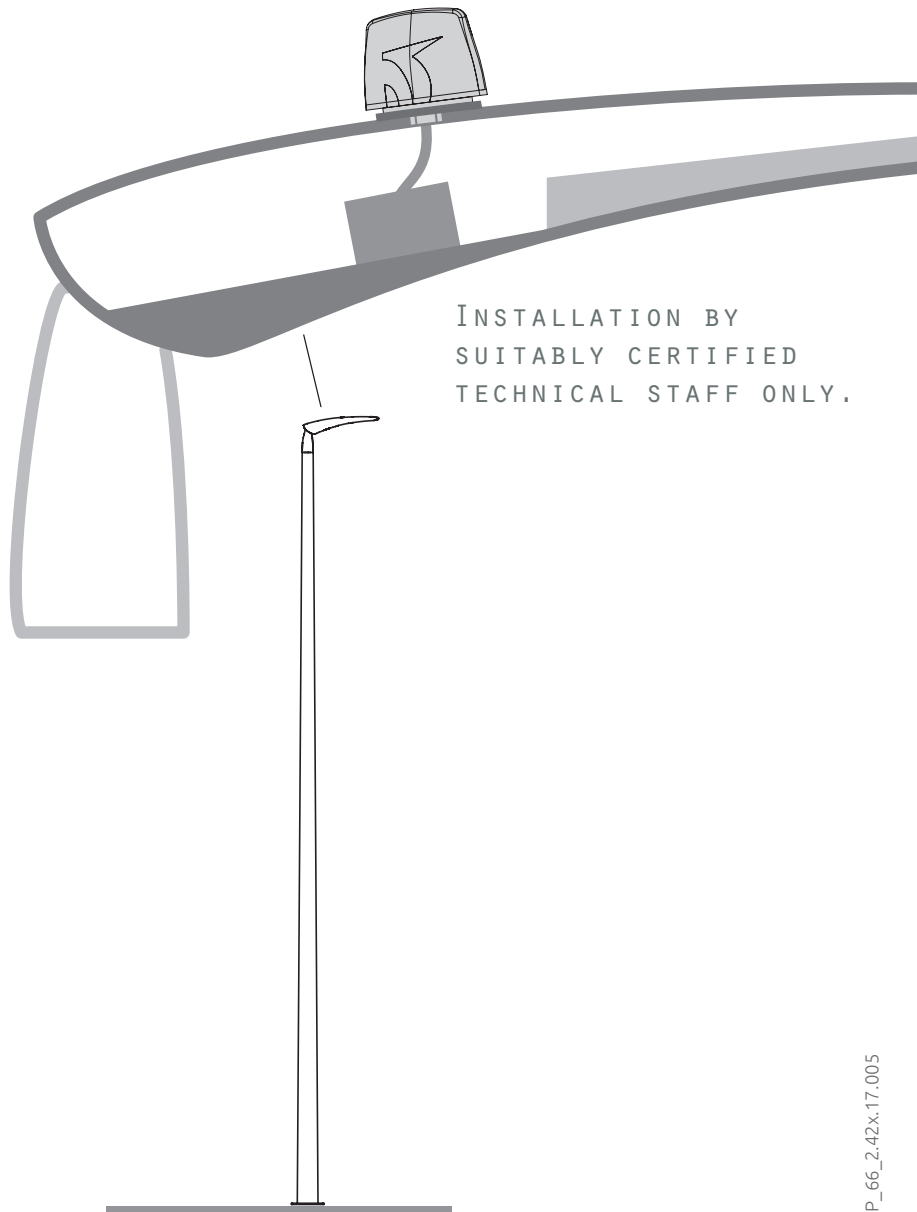
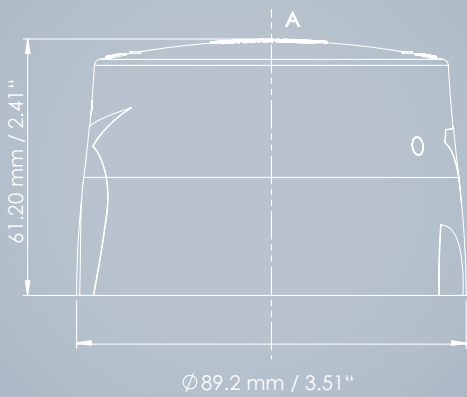
The Owlet Shorting Cap SCIP 66 is a waterproof luminaire shorting cap. The NEMA locking-type receptacle is designed to work for a wide range of voltages (110 V - 480 V) and its construction makes it a robust product.

The gasket is made from durable materials for a long lifetime and provides secure, weatherproof protection (IP 66).

MOUNTING

The SCIP 66 is designed to fit on top of the luminaire using the the ANSI C136.10 and C136.41 NEMA twist lock receptacle.

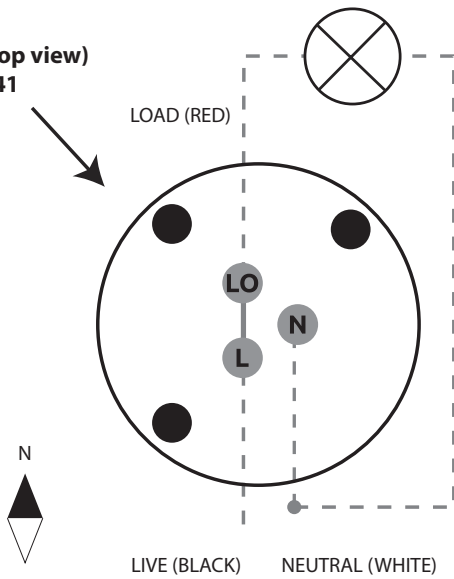
SHORTING CAP SCIP 66



OWLET WIRELESS OUTDOOR SHORTING CAP SCIP 66 DATASHEET



**NEMA Twist lock (top view)
ANSI C 136.41**



NEMA Socket is not supplied with SCIP 66



Manufacturer: Owlet GmbH **Product:** SCIP 66 **Product-Code:** SCIP66 UV

ta: -40°C – +75°C **Load:** 110-480 V
-40°F – +167°F



50/60 Hz
 $I_{max} = 10A$

Mains connection	
Mains voltage	110-480VAC ±10%
Mains frequency	50/60 Hz ± 5%
Maximum load current	10 A
Required external fuse	≤ 10A

Operating conditions	
Ambient temperature (ta)	-40°C to +75°C -40°F to 167 °F
Relative humidity	10% to 90%

Housing	
Material	PC, UV stabilized
Colour	black
Protection class	IP66 (installed condition for controller side only in combination with TE PN: 2213362)

Standards & Legislation	
Connector	ANSI C136.41, ANSI C136.10