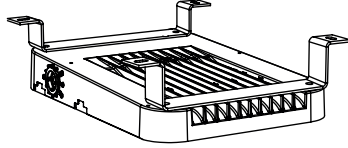


P3/P4



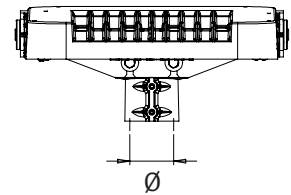
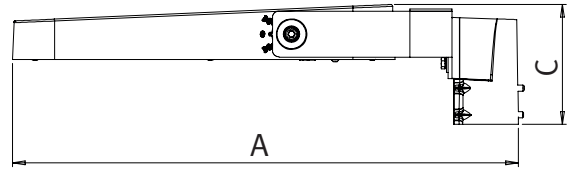
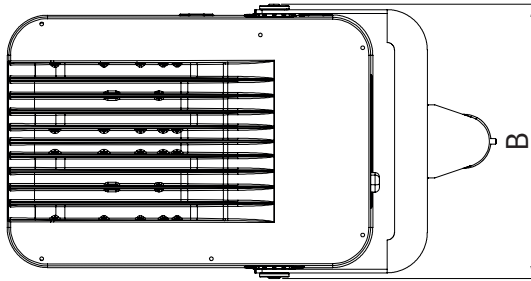
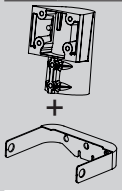
W2

Schröder

OMNIFLOOD

Pole mount fixation
Ceiling fixation

ENG	INSTALLATION INSTRUCTIONS	ITA	ISTRUZIONI DI INSTALLAZIONE	NLD	INSTALLATIE INSTRUCTIES	DAN	INSTALLATIONSVEJLEDNING	HUN	TELEPÍTÉSI ÚTMUTATÓ
DEU	INSTALLATIONSANLEITUNG	POL	INSTRUKCJE MONTAŻU	RUS	Инструкции по установке	RON	INSTRUCȚIUNI DE INSTALARE	CHI	安装说明
FRA	INSTRUCTIONS DE MONTAGE	SPA	INSTRUCCIONES DE INSTALACIÓN	POR	INSTRUÇÕES DE INSTALAÇÃO	SWE	INSTALLATIONSANVISNING	UKR	Інструкції з монтажу
SRP	UPUTSTVA ZA INSTALACIJU	AR	تعليمات التركيب						



60mm	Size 1	Size 3
A	661mm	712mm
B	335mm	506mm
C	157mm	167mm
Ø	60mm	60mm

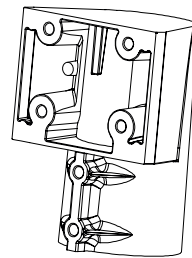
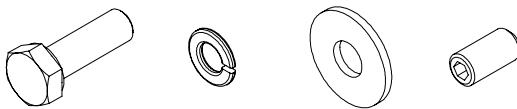
76mm	Size 1	Size 3
A	690mm	743mm
B	335mm	506mm
C	121mm	131mm
Ø	76mm	76mm



P3

60mm

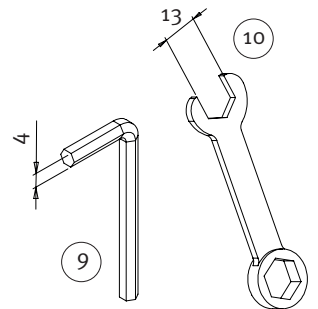
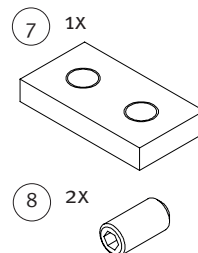
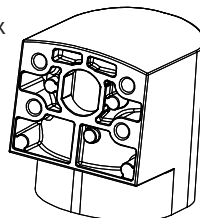
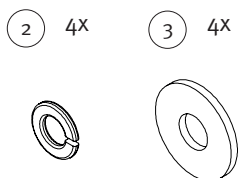
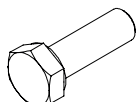
- 1 4X
- 2 4X
- 3 4X
- 4 2X
- 5 1X

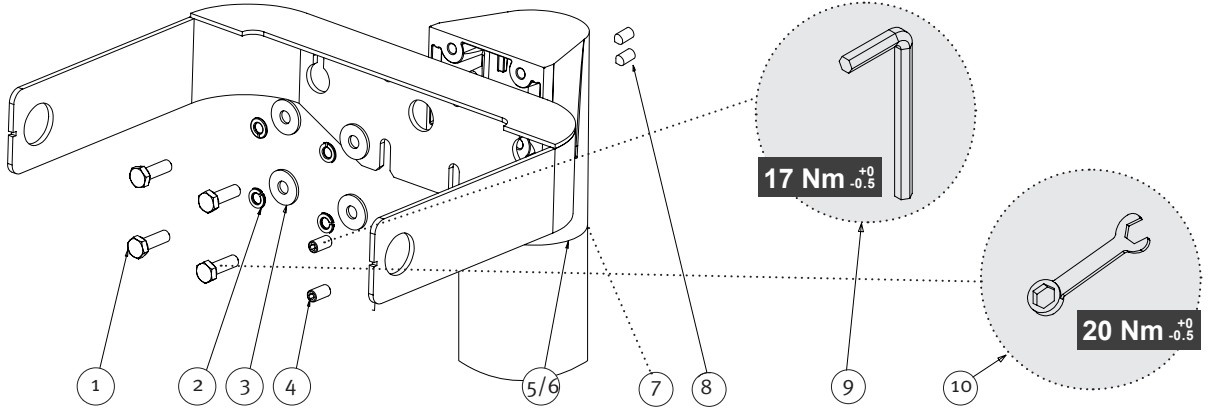
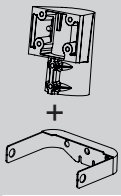


P4

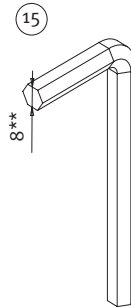
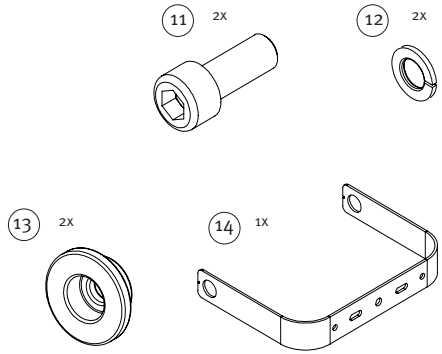
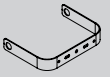
76mm

- 1 4X
- 2 4X
- 3 4X
- 6 1X

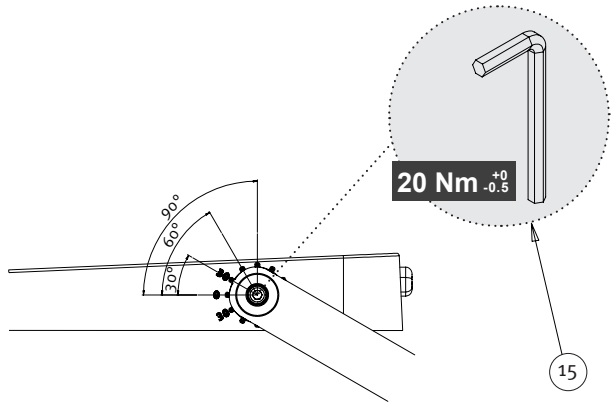
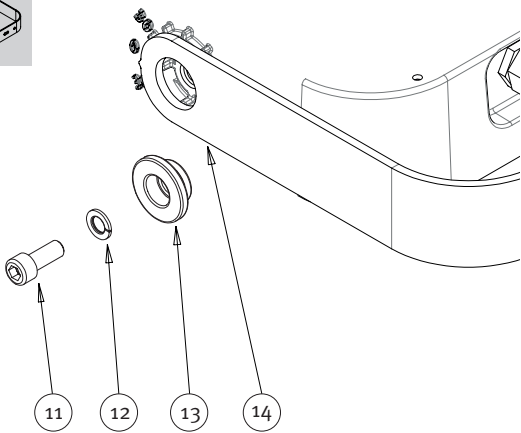
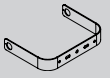




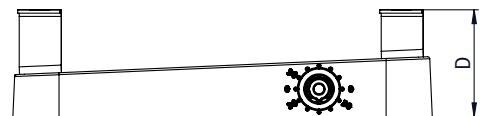
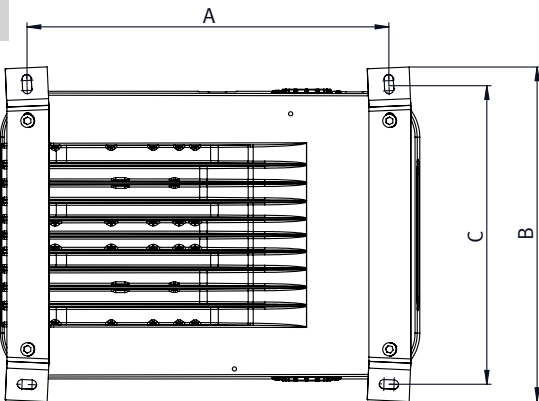
For post-top versions, the standard U-bracket does not apply, please use the post-top version brackets for both diameters.



** Size 3 = 10



W2



	Size 1	Size 3
A	432mm	481mm
B	365mm	532mm
C	324mm	484mm
D	127mm	144mm