



# Schröder TFLEX LINE

ENG	INSTALLATION INSTRUCTIONS	ITA	ISTRUZIONI DI INSTALLAZIONE	NLD	INSTALLATIE INSTRUCTIES	DAN	INSTALLATIONSVEJLEDNING	HUN	TELEPÍTÉSI ÚTMUTATÓ
DEU	INSTALLATIONSANLEITUNG	POL	INSTRUKCJE MONTAŻU	RUS	Инструкции по установке	RON	INSTRUCȚIUNI DE INSTALARE	CHI	安装说明
FRA	INSTRUCTIONS DE MONTAGE	SPA	INSTRUCCIONES DE INSTALACIÓN	POR	INSTRUÇÕES DE INSTALAÇÃO	SWE	INSTALLATIONSANVISNING	UKR	Інструкції з монтажу
SRP	UPUTSTVA ZA INSTALACIJU	AR	تعليمات التركيب						



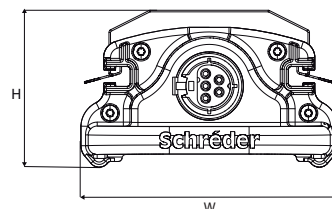
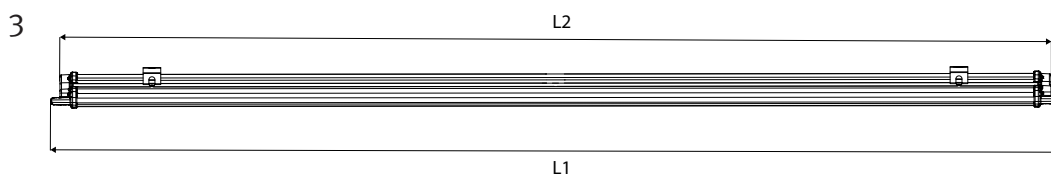
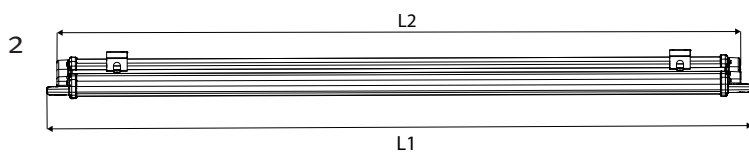
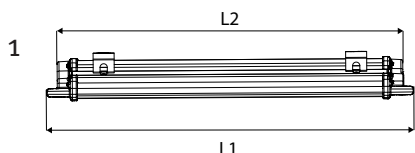
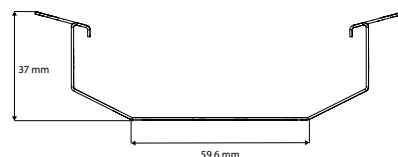
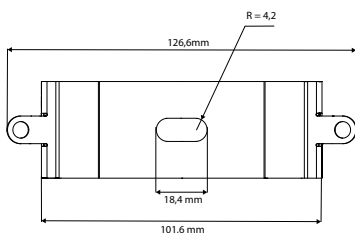
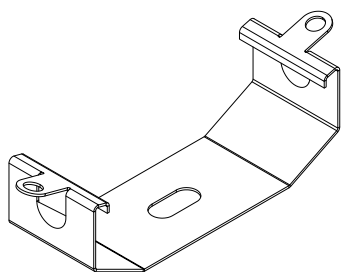
DC  
200-700 mA

IP  
69/66

IK  
08

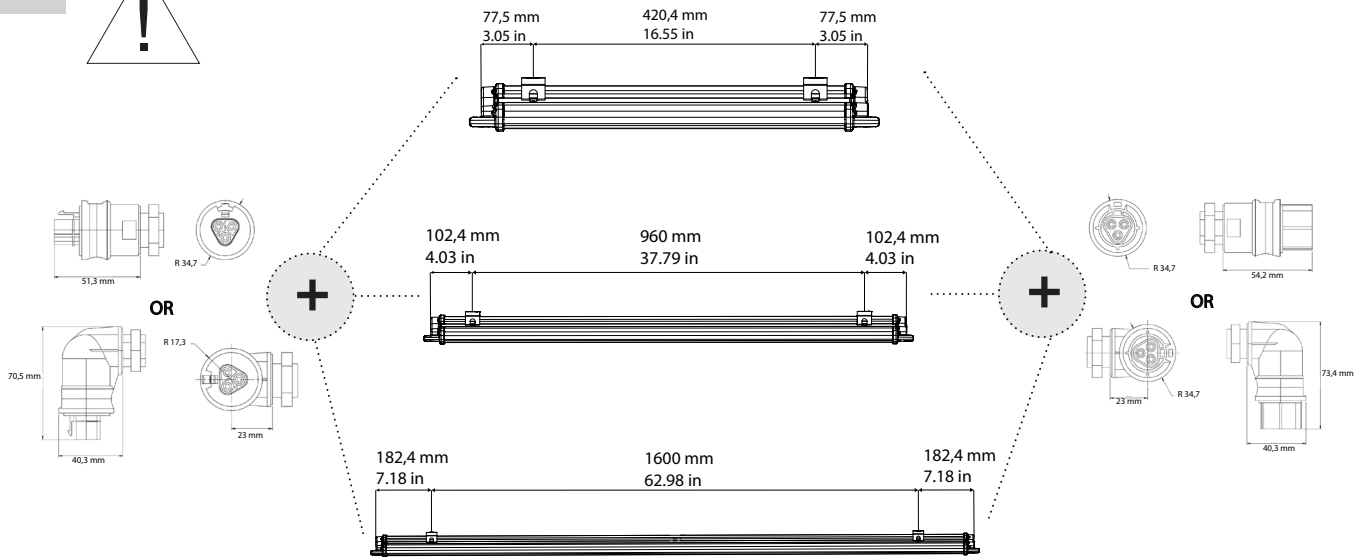
## A

### U-SHAPE CLIP TYPE SUPPORT *Ansi-3G*

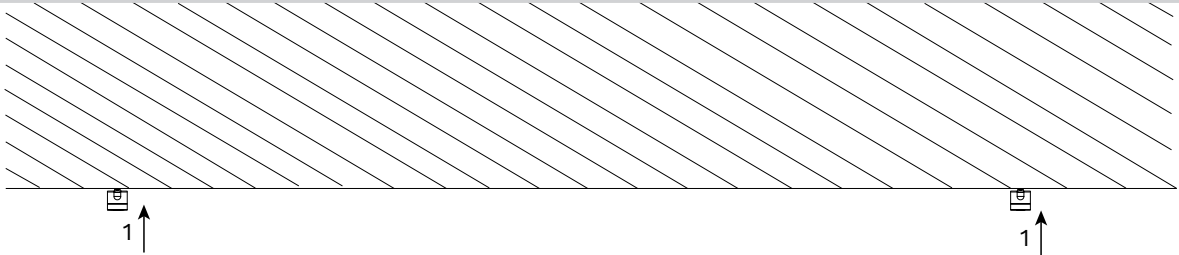


	L1	L2	W	H	kg/lb
1	611 mm 24.05 in	575 mm 22.64 in	130 mm 5.11 in	76,6 mm 3.01 in	3,430 kg 7.56 lb
2	1200 mm 47.24 in	1165 mm 45.86 in	130 mm 5.11 in	76,6 mm 3.01 in	5,900 kg 13 lb
3	2000 mm 78.74 in	1965 mm 77.36 in	130 mm 5.11 in	76,6 mm 3.01 in	9,550 kg 21.05 lb

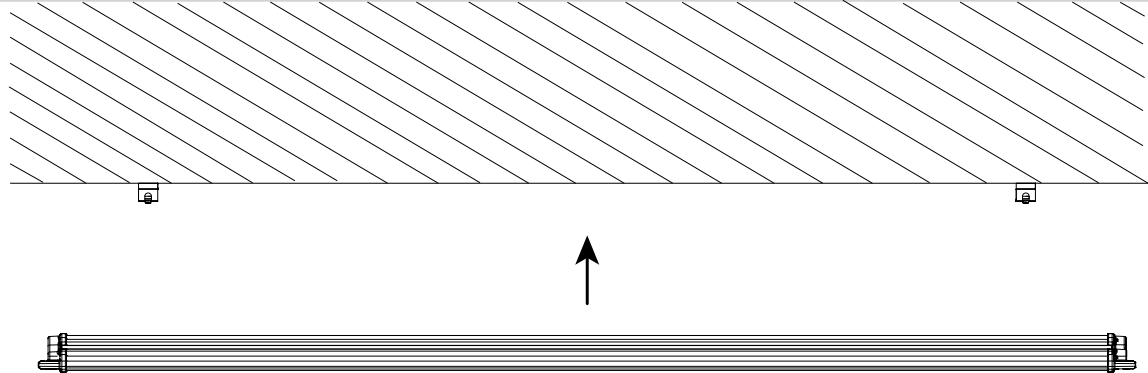
# A1



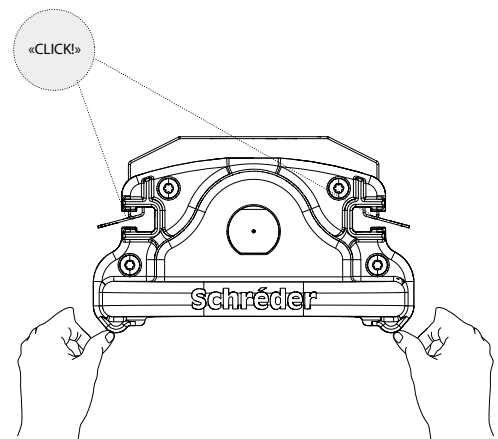
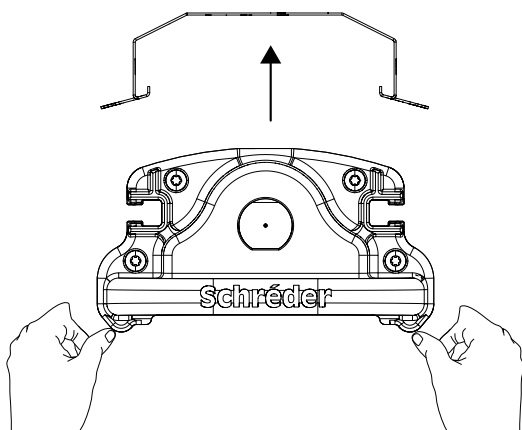
# A2



# A3

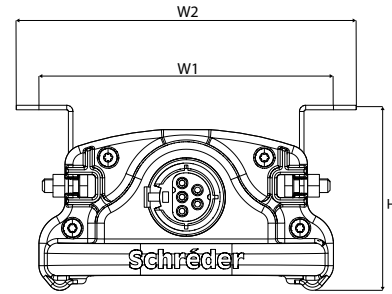
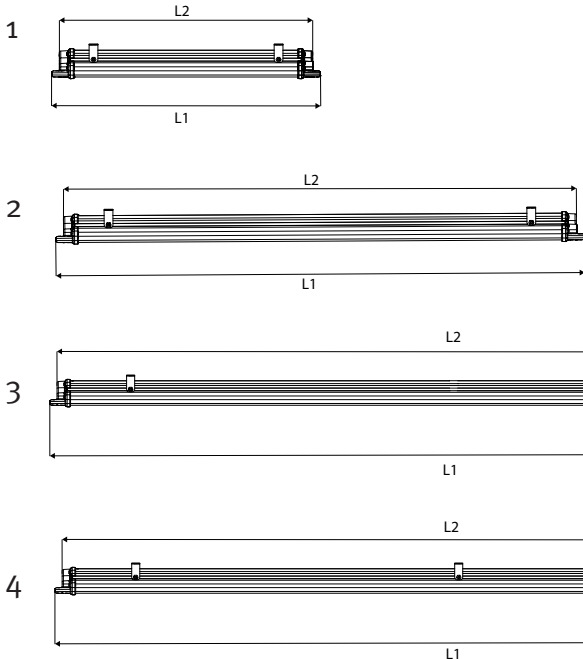
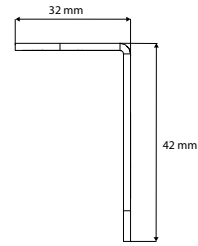
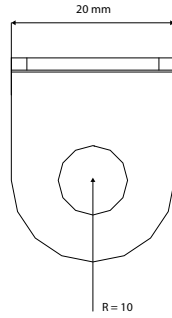
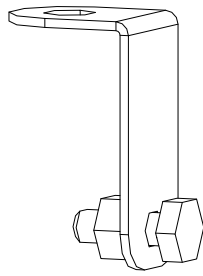


# A4



**B**

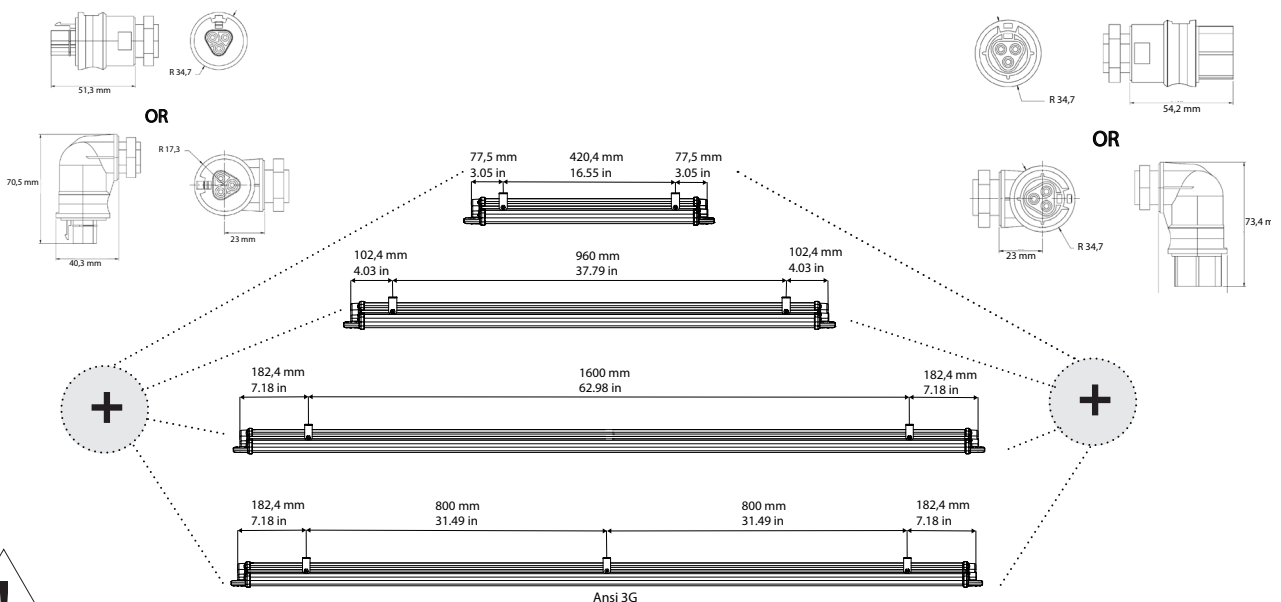
# L-SHAPE SUPPORT FIXATION

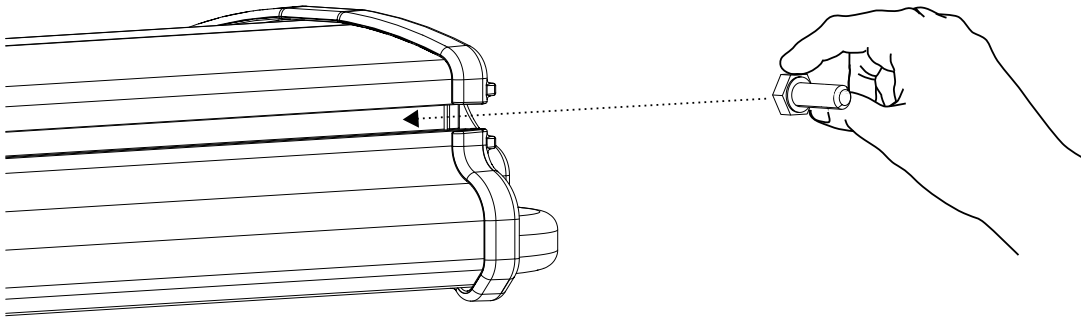
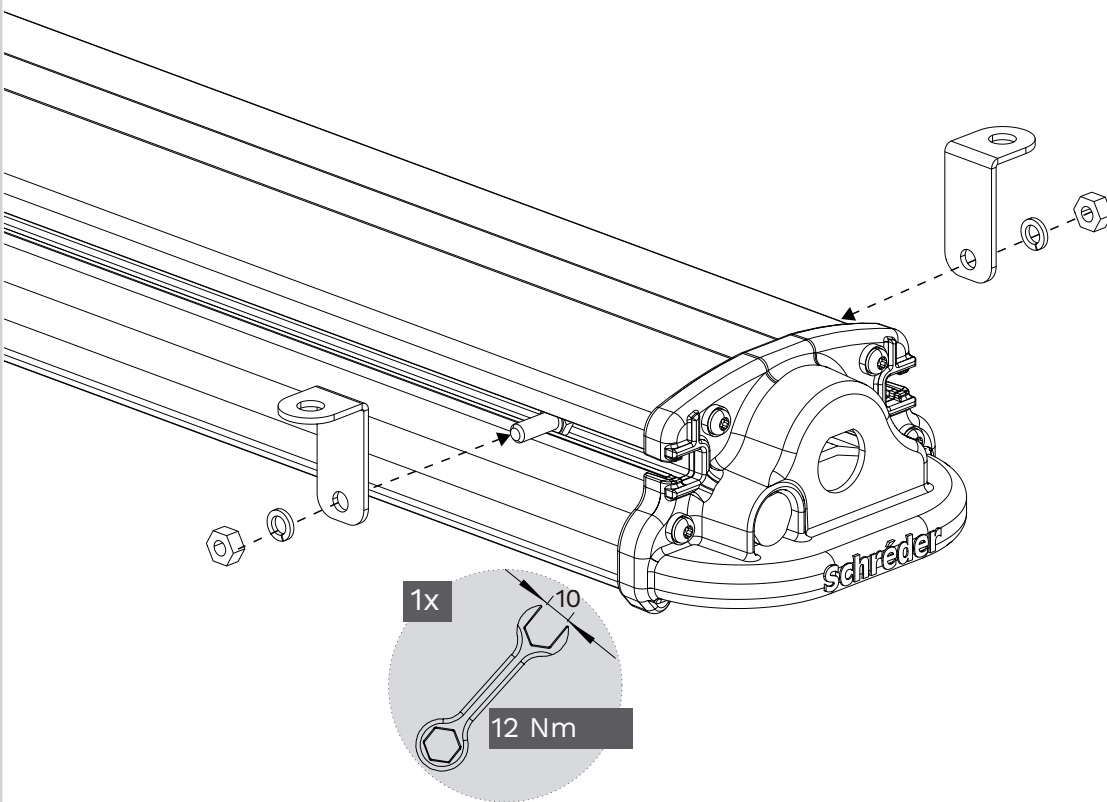
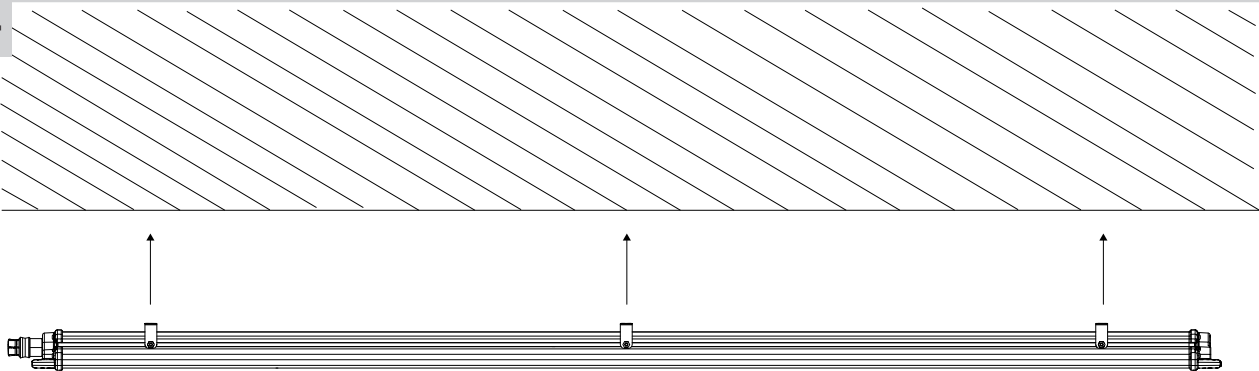


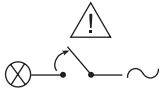
	L1	L2	W1	W2	H	kg/lb
1	611 mm 24.05 in	575 mm 22.64 in	144 mm 5.67 in	164 mm 6.45 in	76,6 mm 3.01 in	3,430 kg 7.56 lb
2	1200 mm 47.24 in	1165 mm 45.86 in	144 mm 5.67 in	164 mm 6.45 in	76,6 mm 3.01 in	5,900 kg 13 lb
3	2000 mm 78.74 in	1965 mm 77.36 in	144 mm 5.67 in	164 mm 6.45 in	76,6 mm 3.01 in	9,550 kg 21.05 lb
4	2000 mm 78.74 in	1965 mm 77.36 in	144 mm 5.67 in	164 mm 6.45 in	76,6 mm 3.01 in	9,550 kg 21.05 lb

Ansi 3G

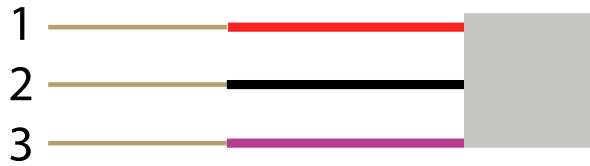
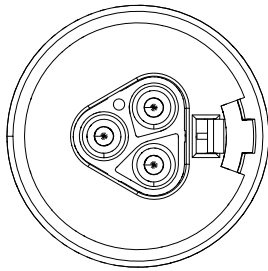
**B1**



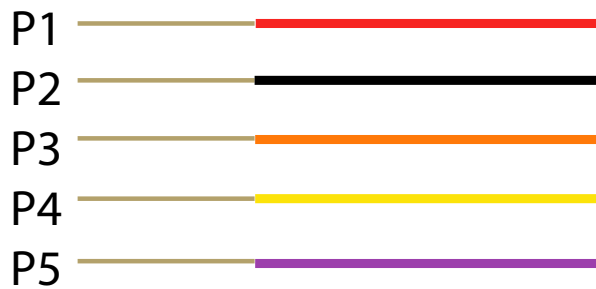
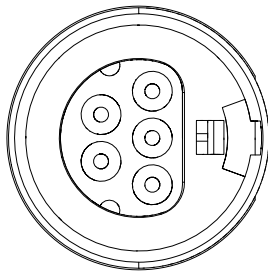
**B2****B3****B4**

**C**

# CONNECTORS AND INTERCONNECTIONS

**C1**

3 PINS CONNECTOR C1	
CONNECTOR PIN#	WIRE COLOR
1	RED
2	BLACK
3	VIOLET

**C2**

5 PINS CONNECTOR C1		
CONNECTOR PIN#	WIRE COLOR	
1	RED	CIRCUIT 1
2	BLACK	
3	ORANGE	CIRCUIT 2
4	YELLOW	
5	VIOLET	

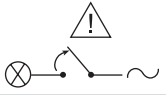


In case of unbalanced circuit:

UNBALANCED CIRCUIT		
RED (+) / BLACK (-)	CIRCUIT 1	12 or 8 LEDS
ORANGE (+) / YELLOW (-)	CIRCUIT 2	4 LEDS



C



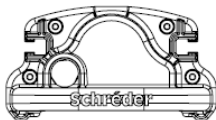
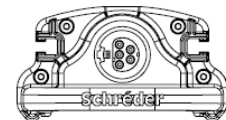
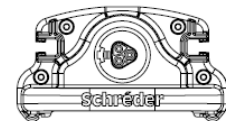
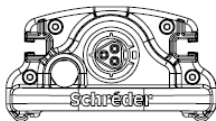
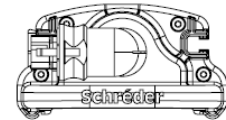
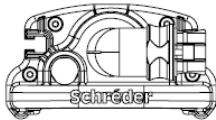
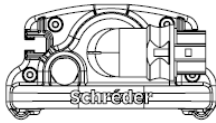
# Connectors positioning

C3

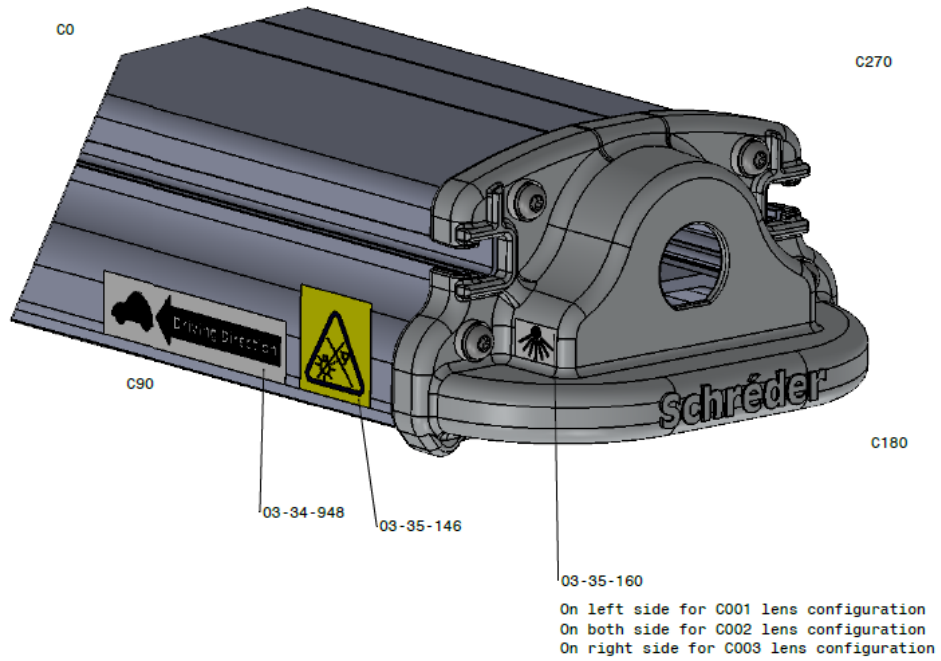
OUT

OUT IN

IN



# Labels positioning



## Bottom View

