

Schröder

CITEA NG2

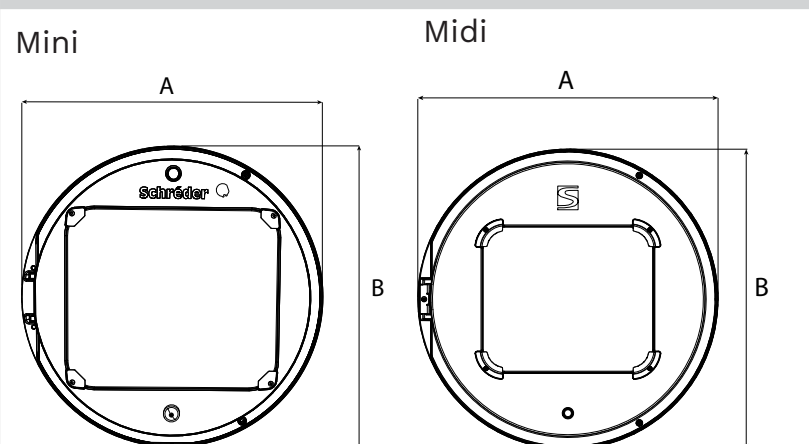
Mini & Midi

Side Entry

Installation instructions

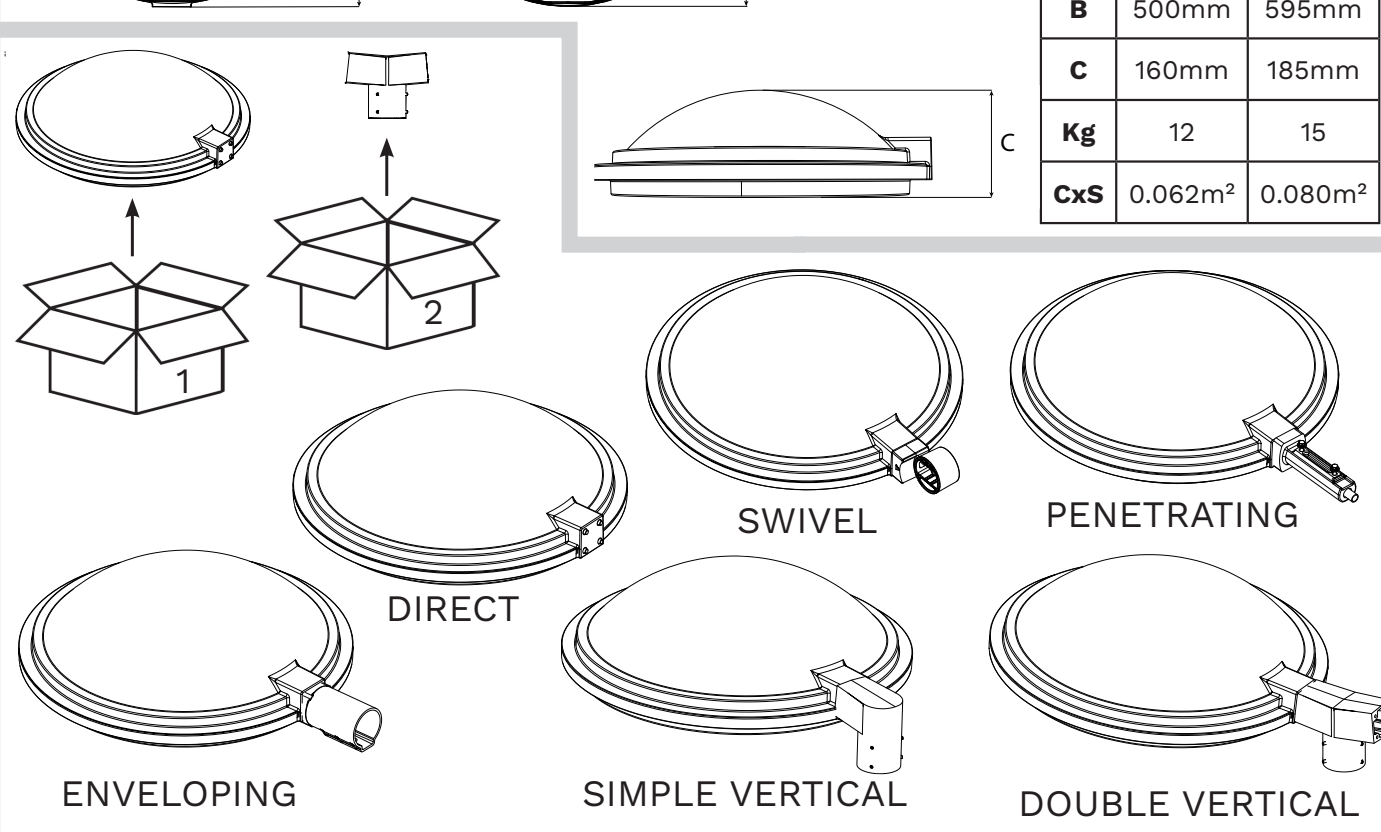
ENG	INSTALLATION INSTRUCTIONS	ITA	ISTRUZIONI DI INSTALLAZIONE	NLD	INSTALLATIE INSTRUCTIES	DAN	INSTALLATIONSVEJLEDNING	HUN	TELEPÍTÉSI ÚTMUTATÓ
DEU	INSTALLATIONSANLEITUNG	POL	INSTRUKCJE MONTAŻU	RUS	Инструкции по установке	RON	INSTRUCȚIUNI DE INSTALARE	CHI	安装说明
FRA	INSTRUCTIONS DE MONTAGE	SPA	INSTRUCCIONES DE INSTALACIÓN	POR	INSTRUÇÕES DE INSTALAÇÃO	SWE	INSTALLATIONSANVISNING	UKR	Інструкції з монтажу
SRP	UPUTSTVA ZA INSTALACIJU	AR	تعليمات التركيب						

Control gear must be SELV/PELV! U _{out max} =120V				UL 1598 CSA C22.2 No. 250.0					4-12m ✓	120-277V 220-240V max. 120VDC 50/60Hz	IP 66	IK 10
---	--	--	--	-----------------------------------	--	--	--	--	---------	--	----------	----------



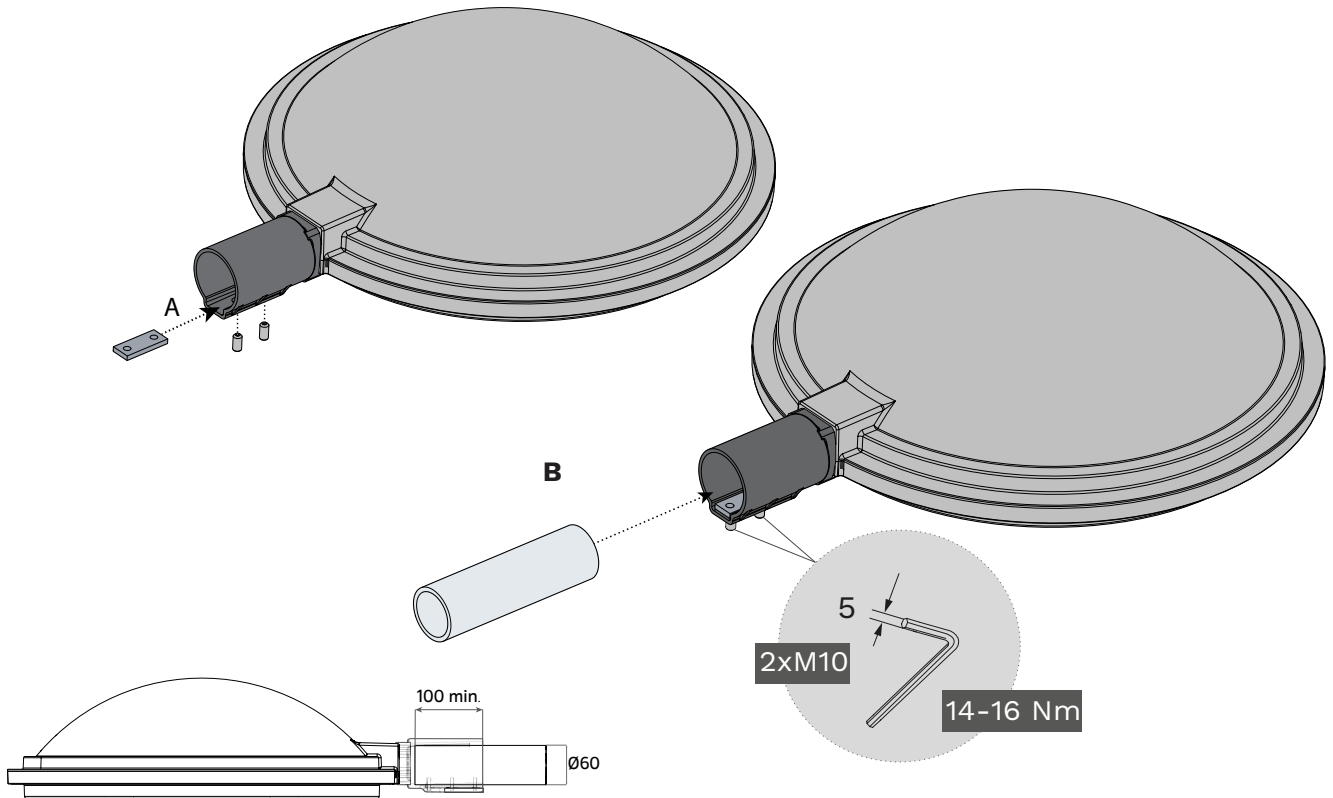
ALL THE TIGHTENING TORQUES VALUES ARE GIVEN FOR ASSEMBLIES WITHOUT THE ADDITION OF A GREASE DECREASING FRICTION.

	Mini	Midi
A	500mm	595mm
B	500mm	595mm
C	160mm	185mm
Kg	12	15
CxS	0.062m ²	0.080m ²

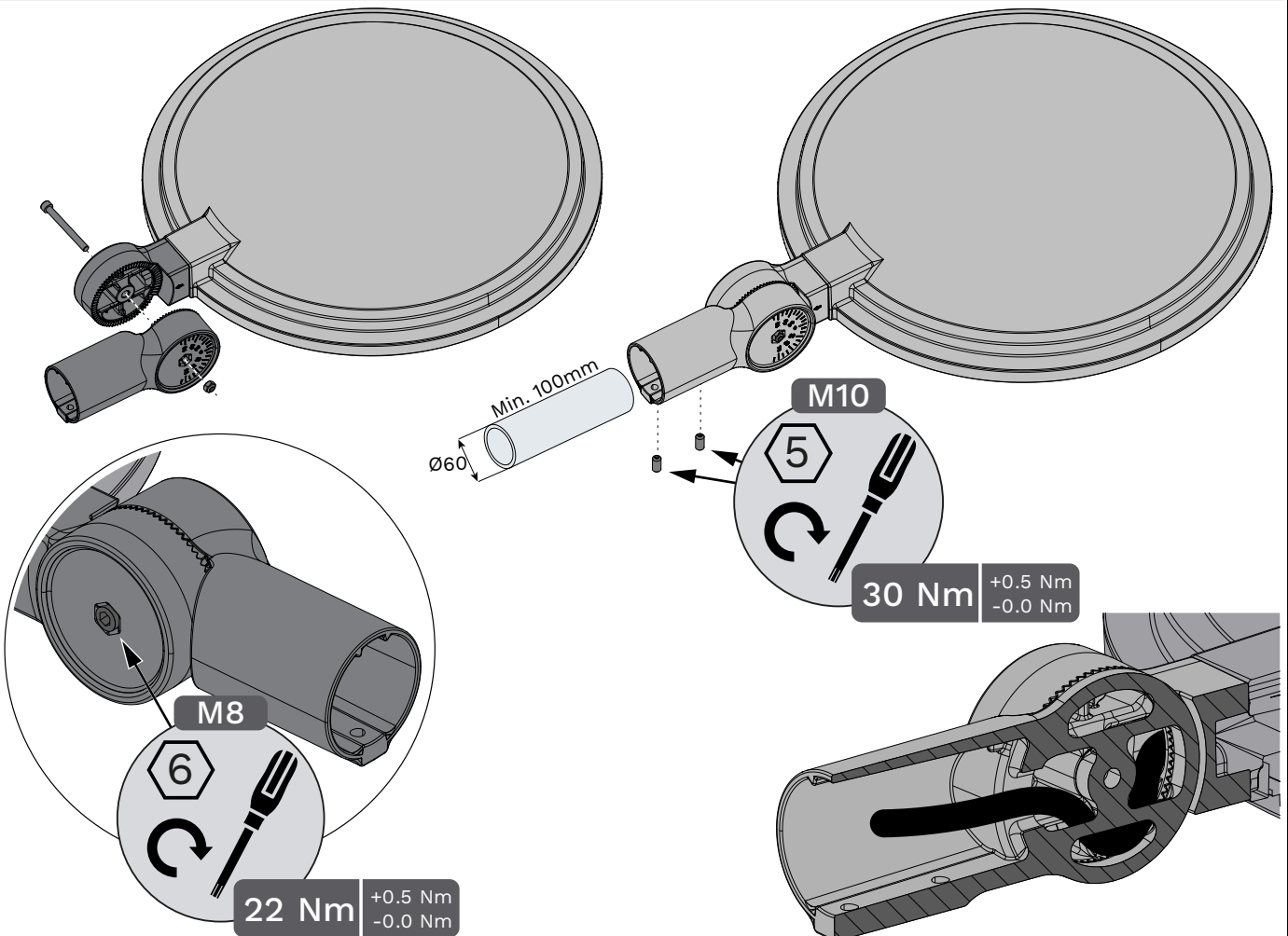




A1. ENVELOPPING - WITHOUT SWIVEL

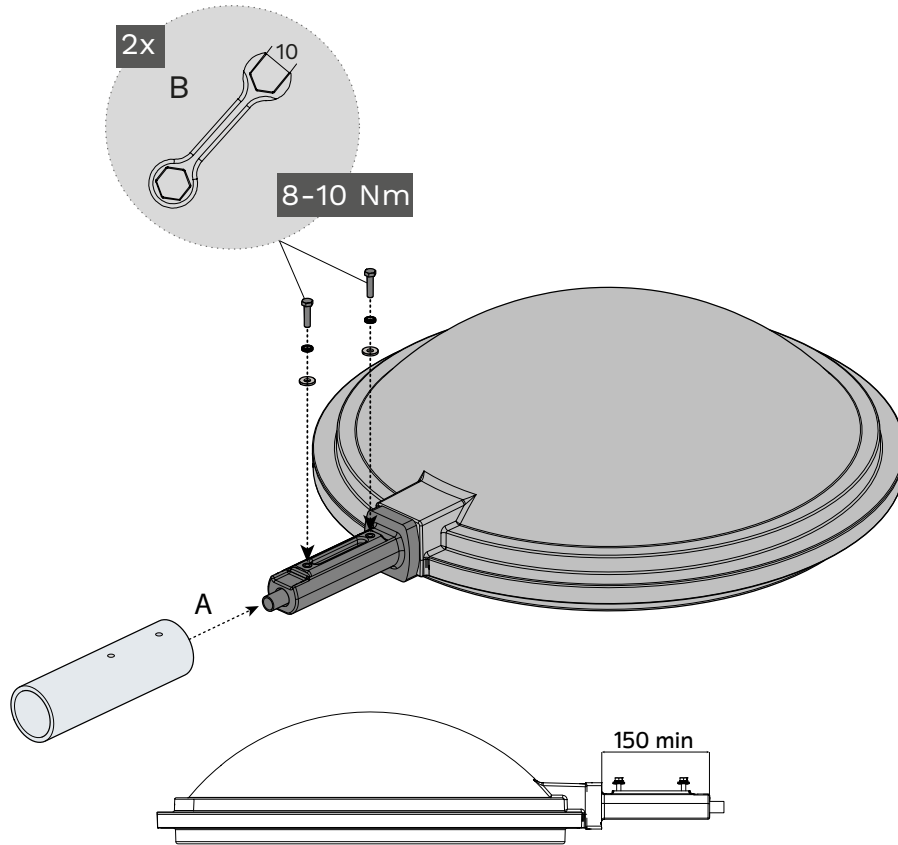


A2. ENVELOPPING - WITH SWIVEL

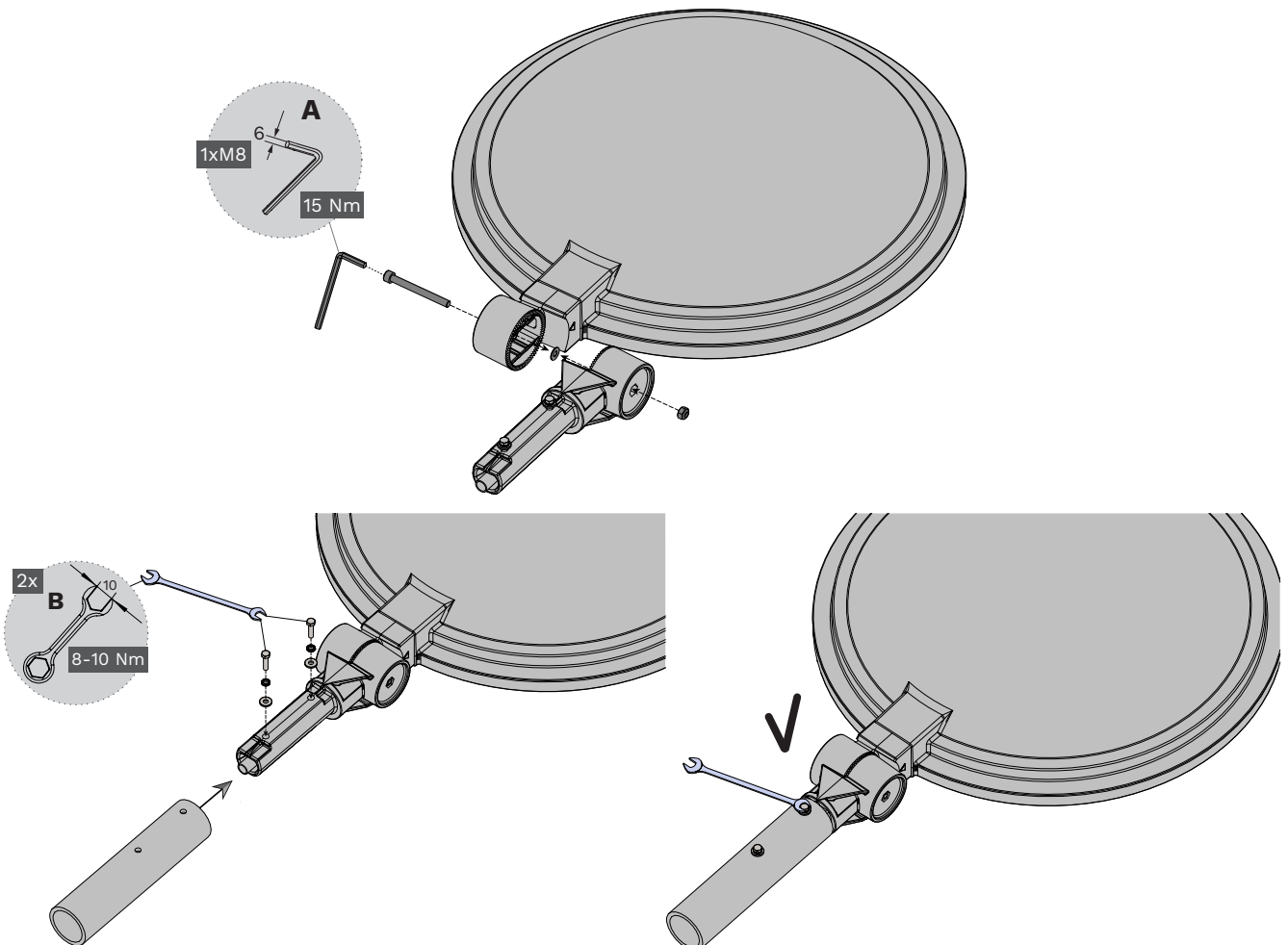




B1. PENETRATING - WITHOUT SWIVEL



B2. PENETRATING - WITH SWIVEL

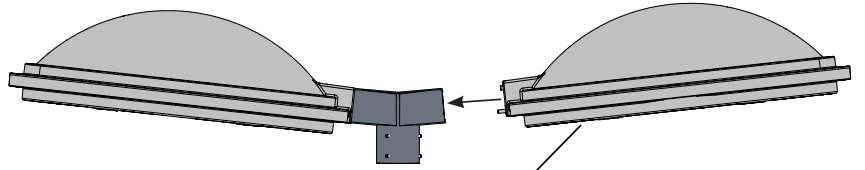
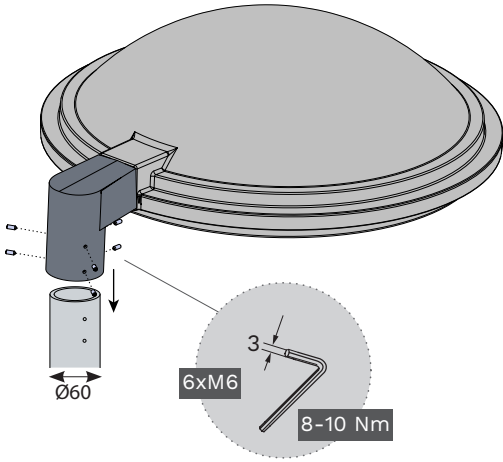




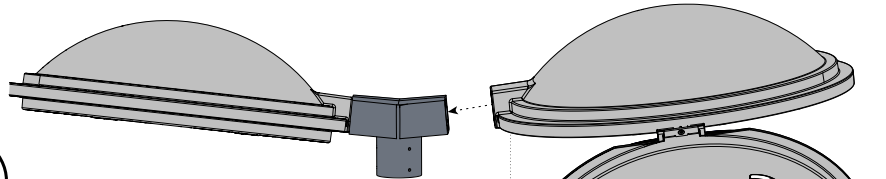
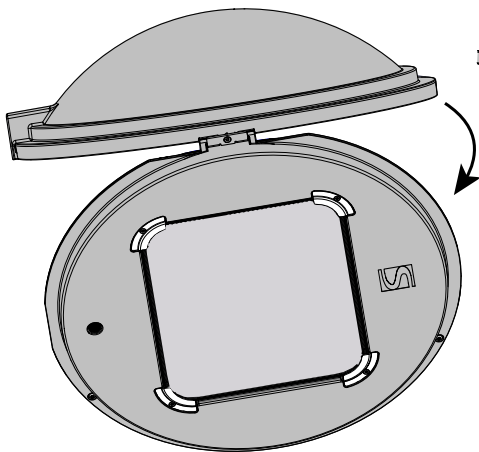
C. SIMPLE/DOUBLE VERTICAL MOUNTING

SIMPLE

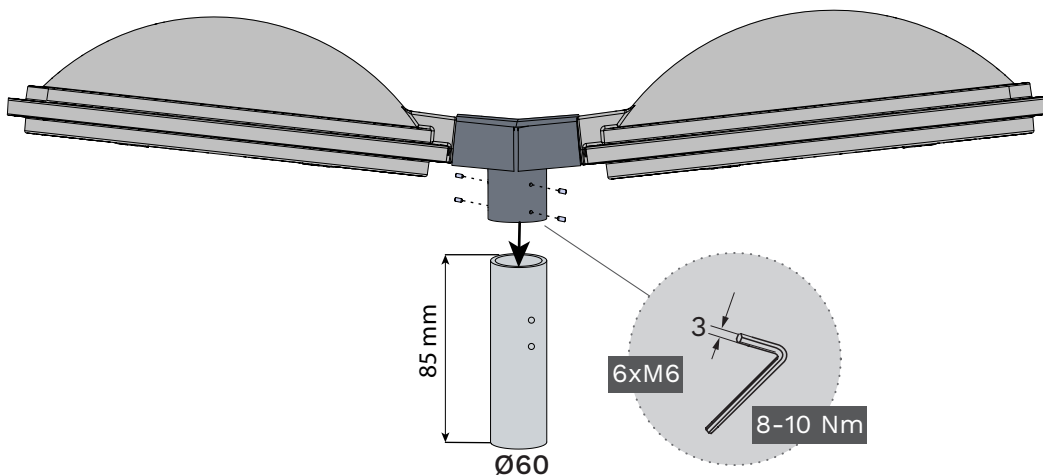
DOUBLE



2



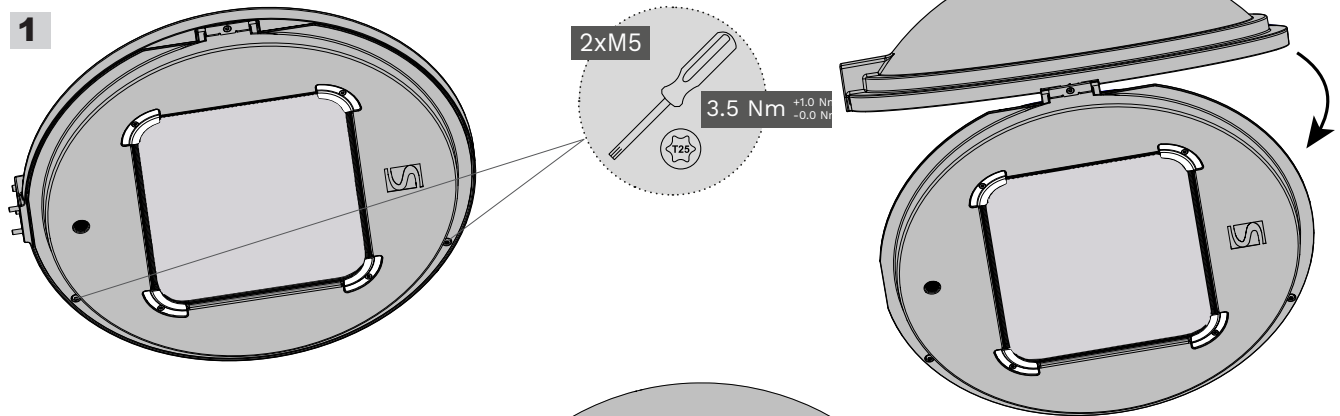
4



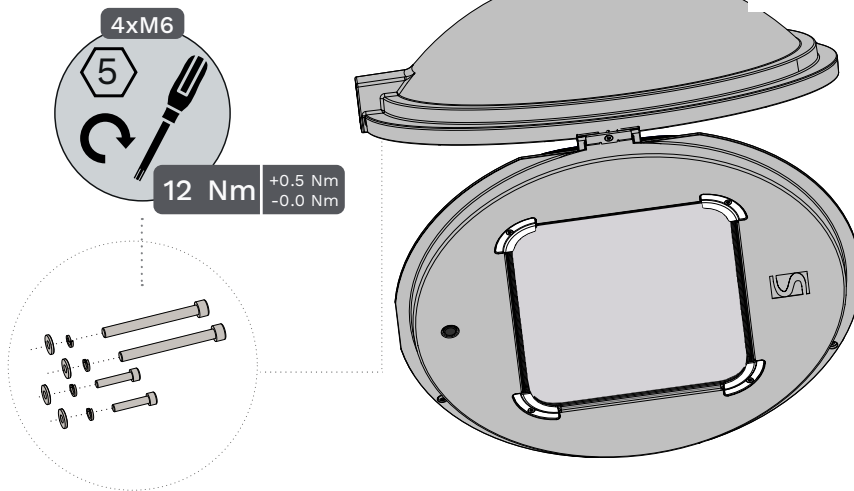


D1. DIRECT - WITHOUT SWIVEL

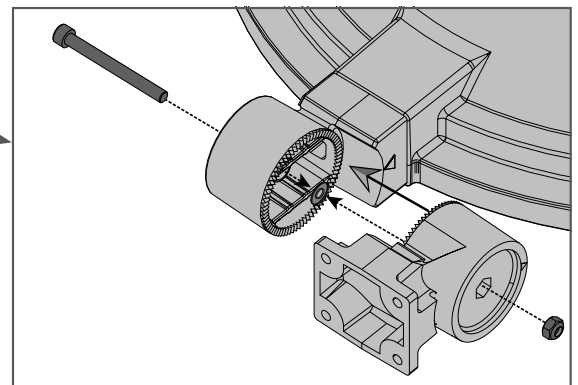
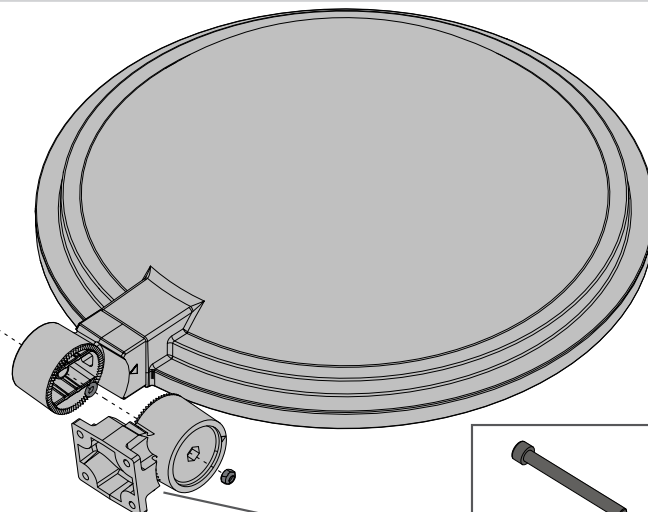
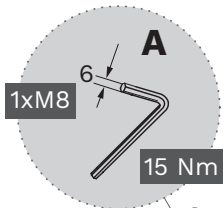
1



2

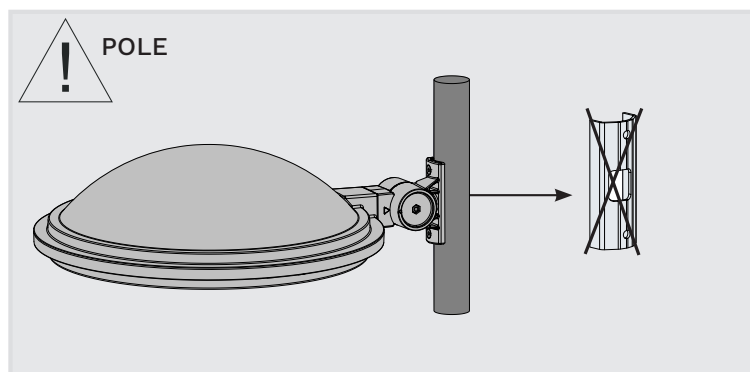
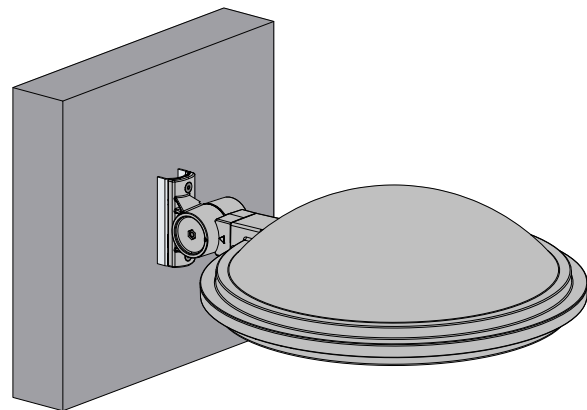
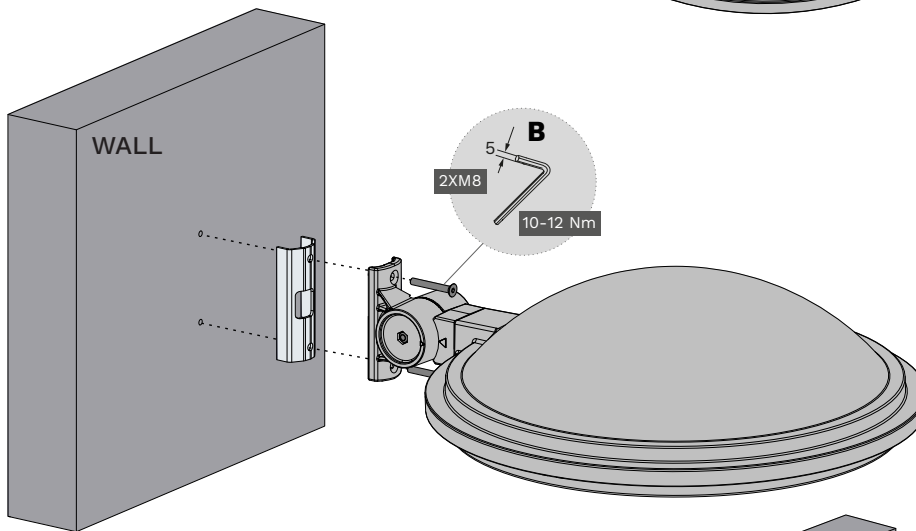
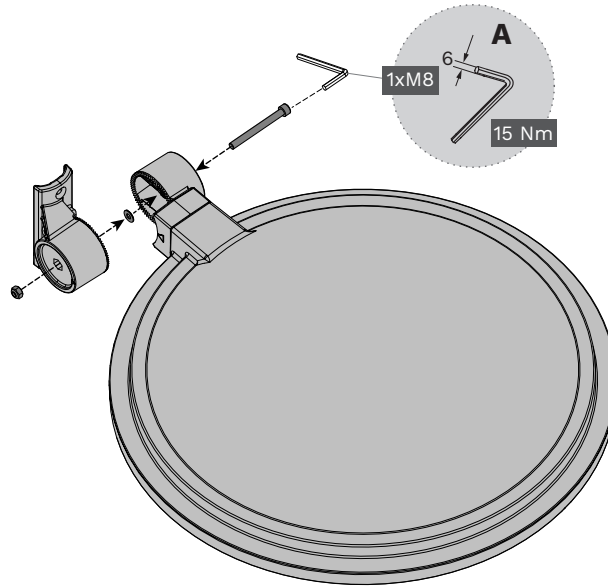


D2. DIRECT - WITH SWIVEL





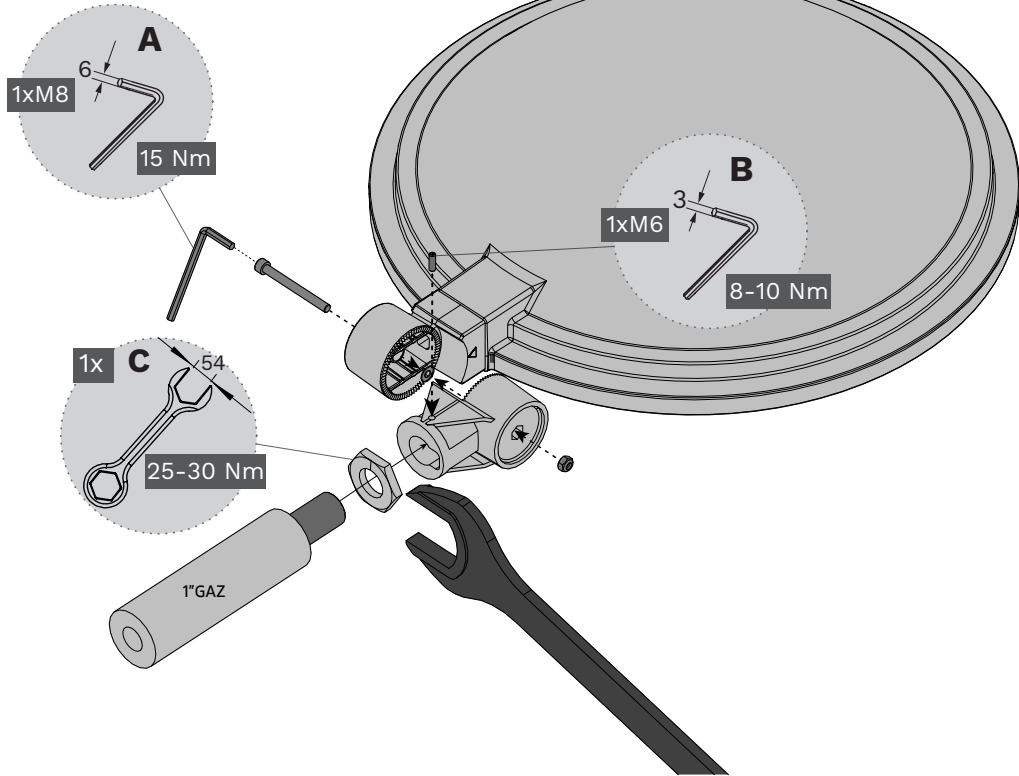
E. DIRECT ON POLE/WALL - WITH SWIVEL



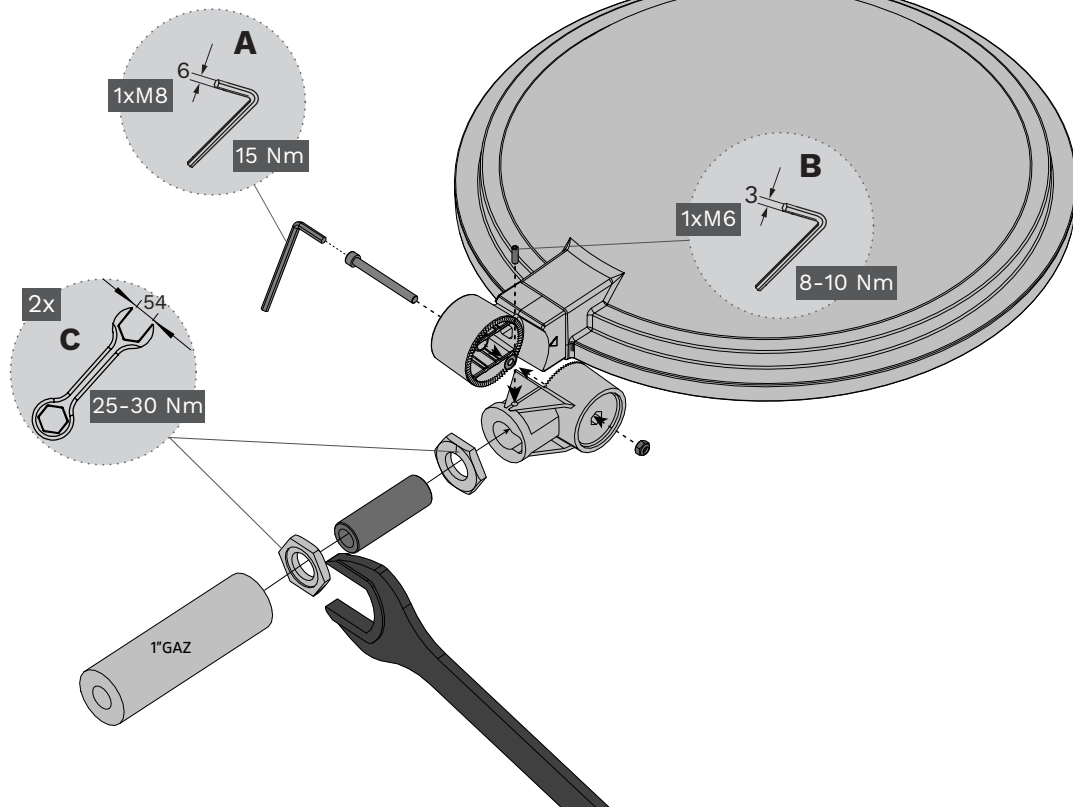


F. 1" GAZ TUBE - WITH SWIVEL

FEMALE SWIVEL



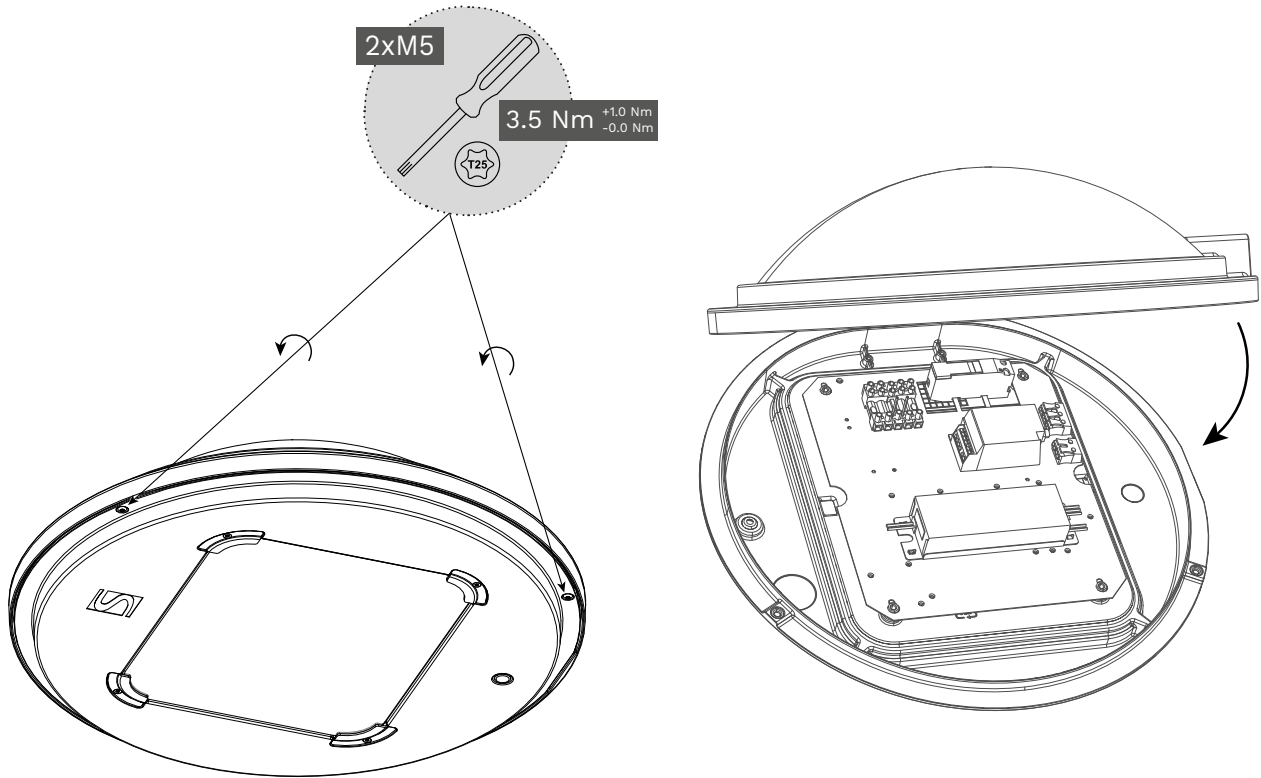
MALE SWIVEL



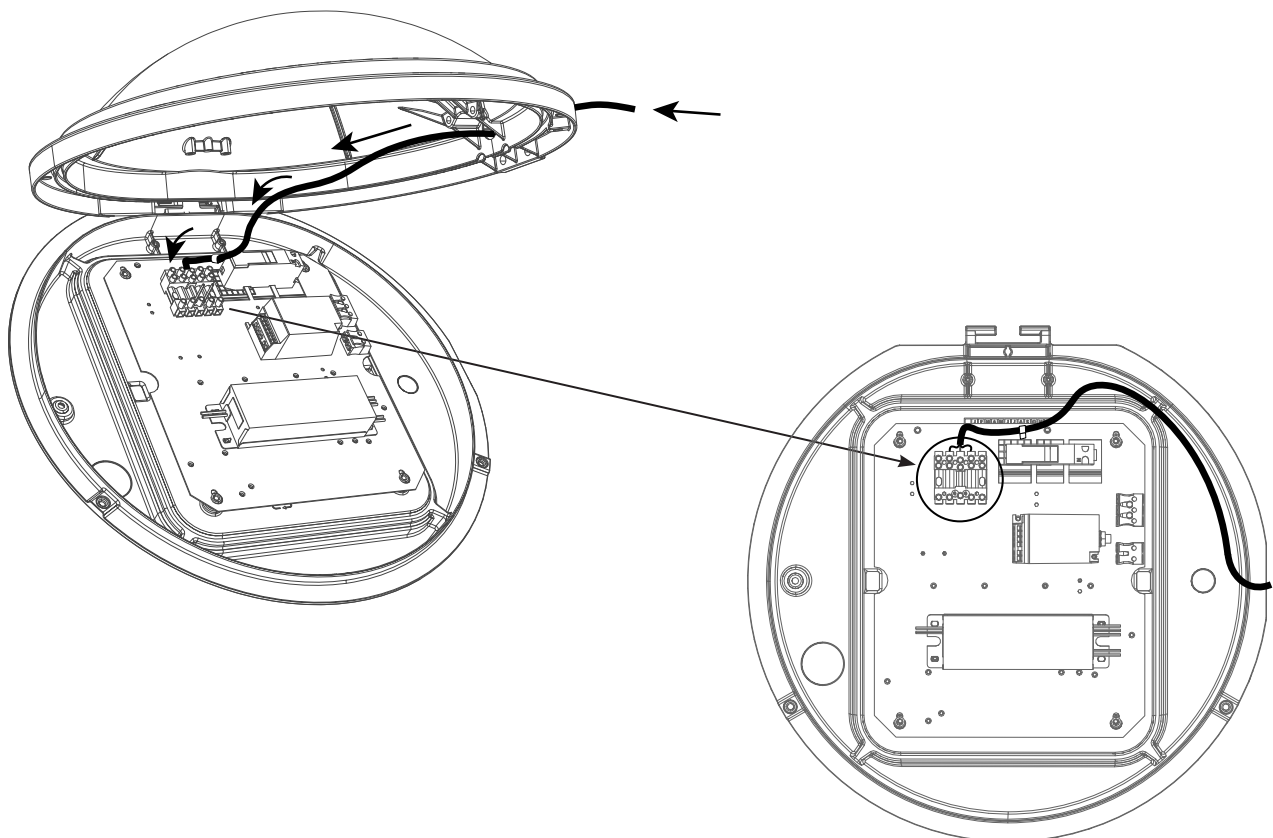


G. MAINTENANCE

1

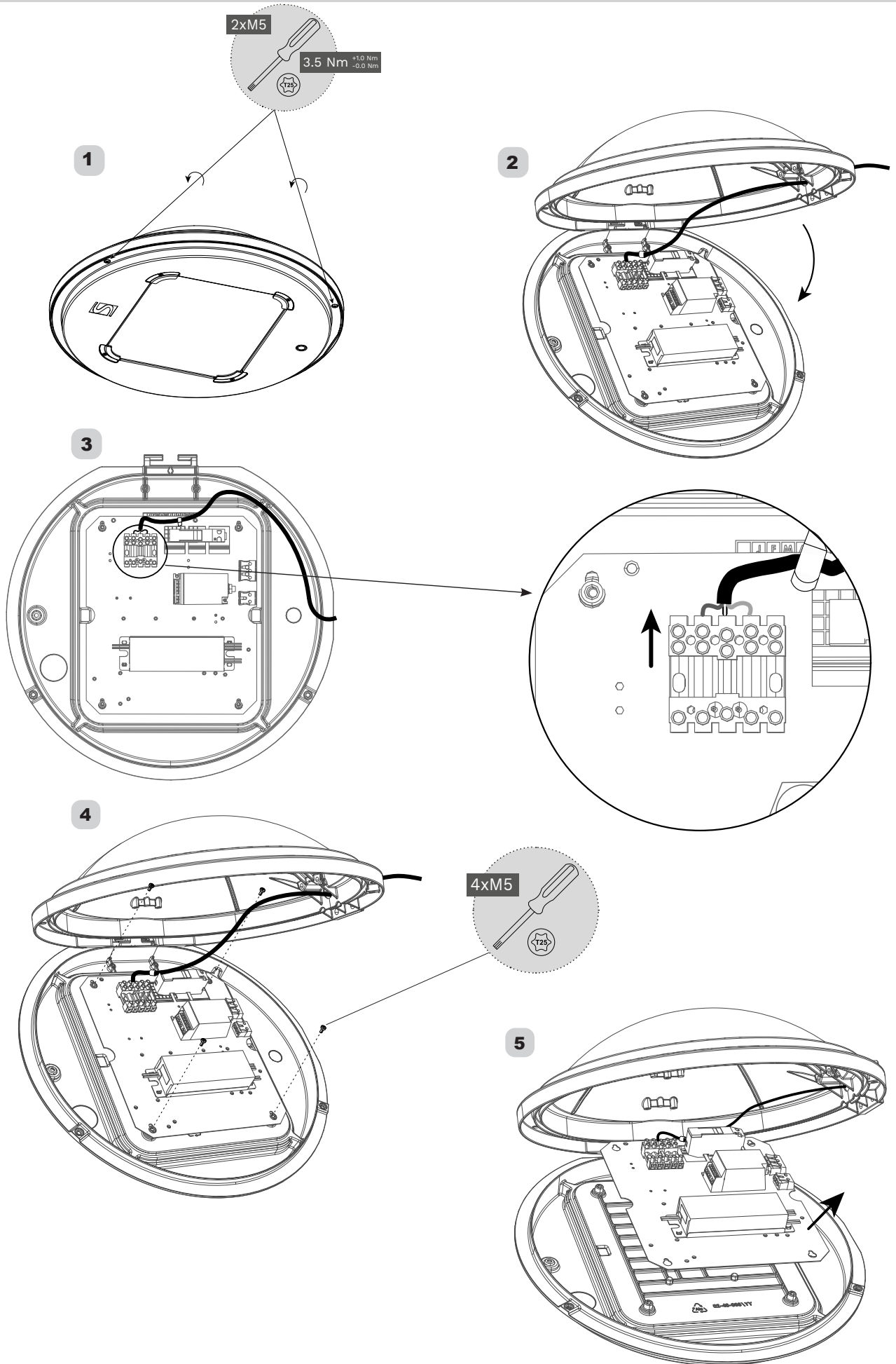


2





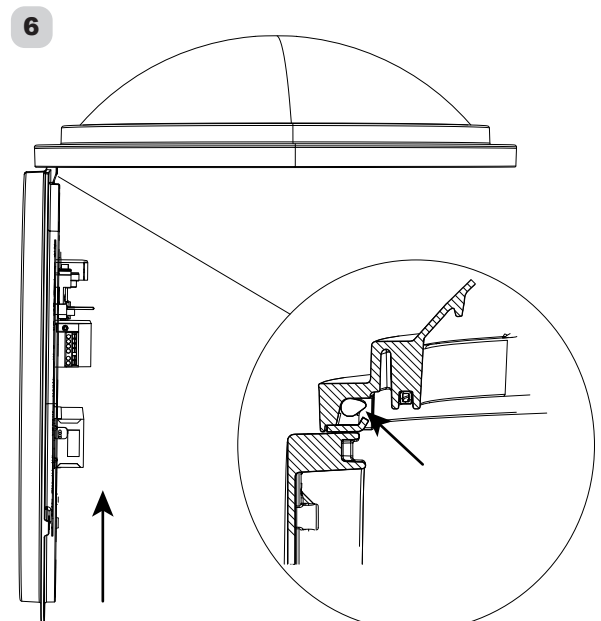
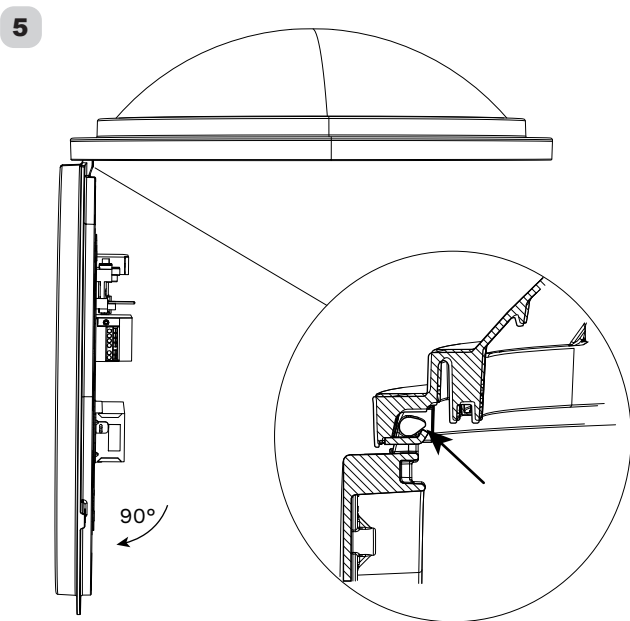
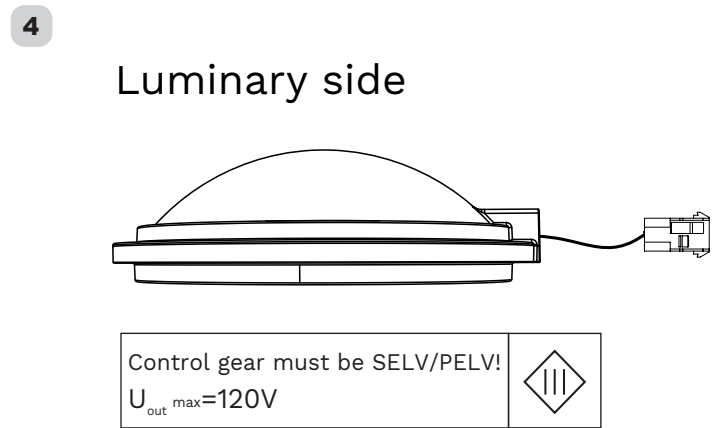
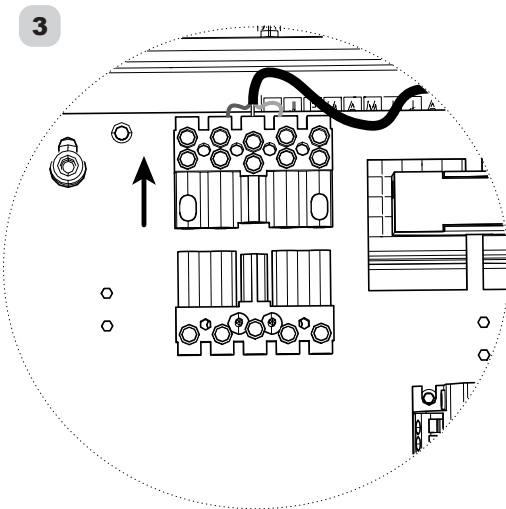
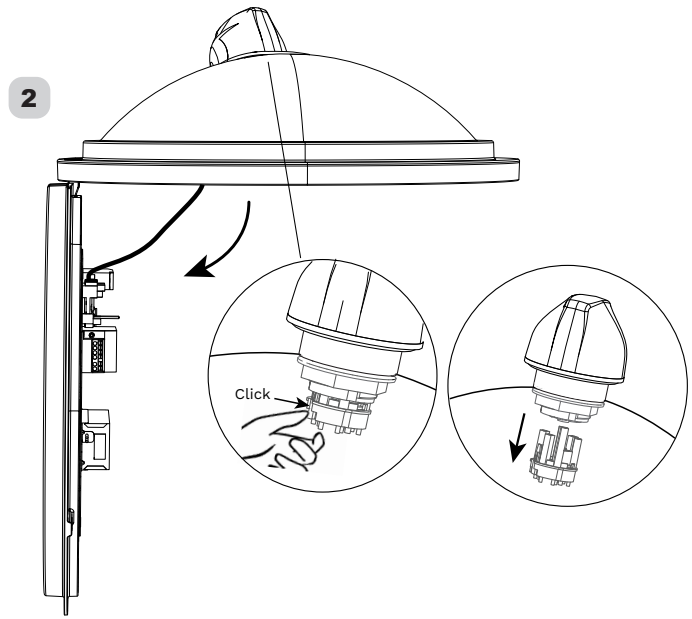
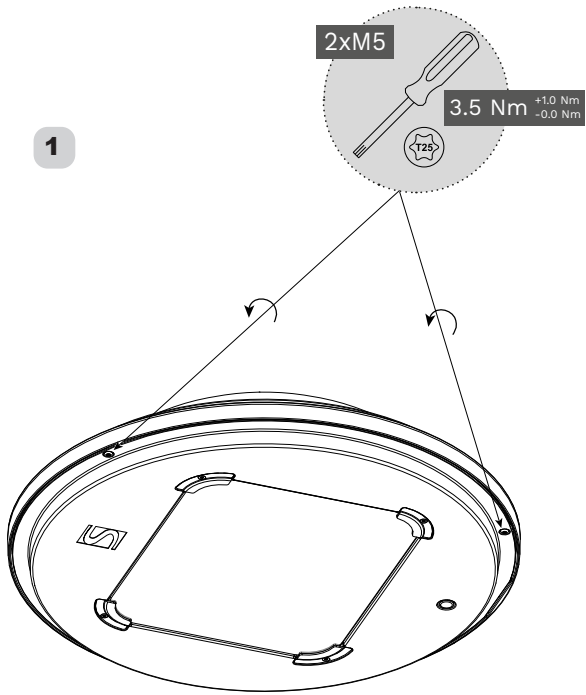
H. MAINTENANCE



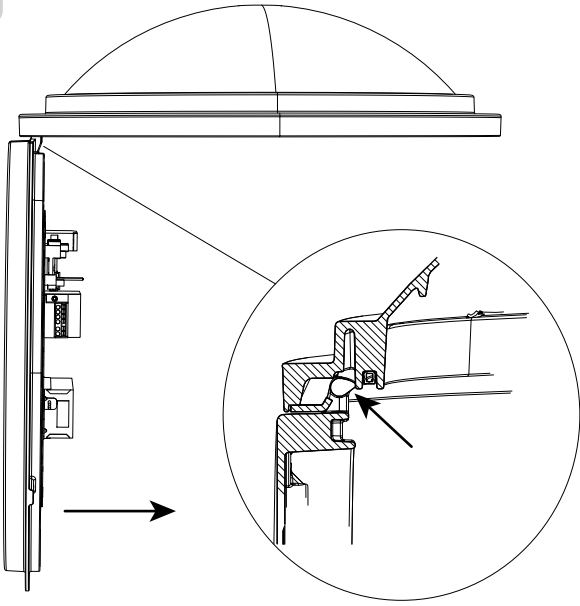


I. MAINTENANCE

! NEMA



7



8

